

Tractor Specifications

COMPANY NAME: _____

TRACTOR UNIT #: _____

(F.S.) FIFTH WHEEL SLIDE: _____

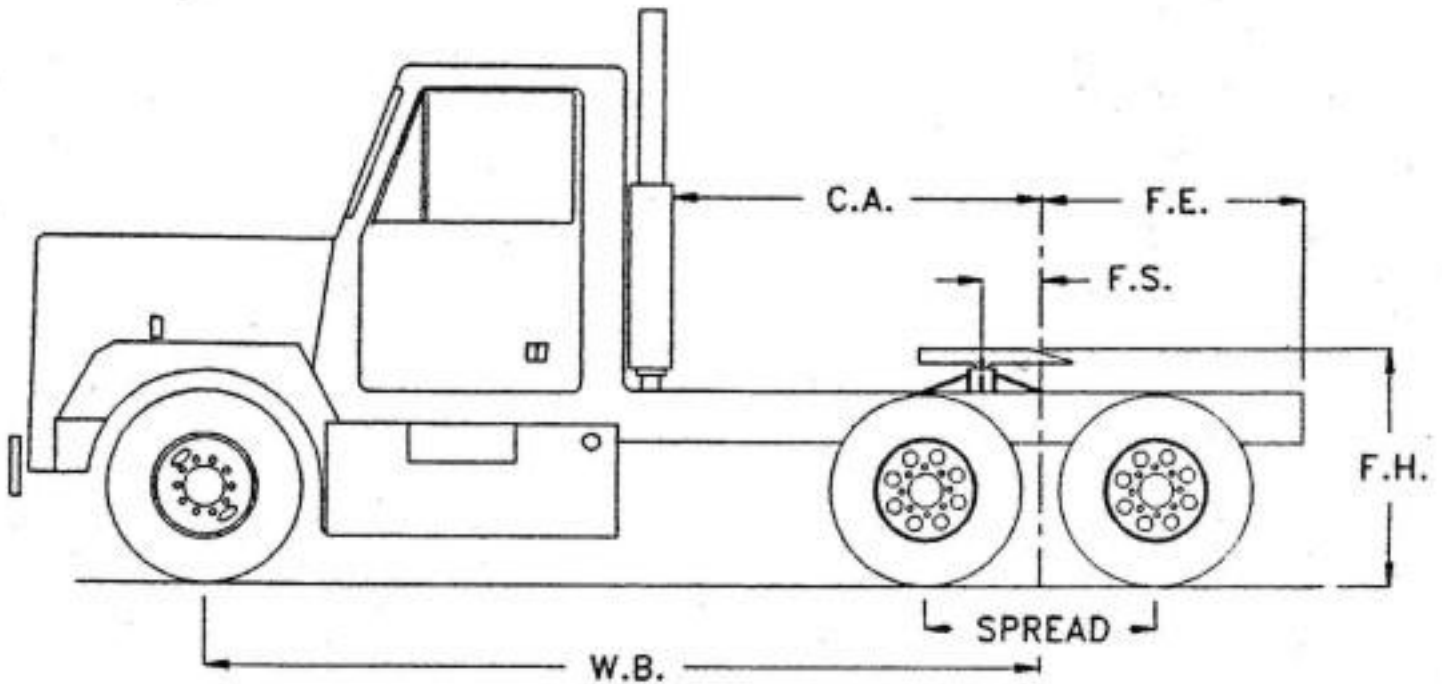
(F.H.) FIFTH WHEEL HEIGHT: _____

(SPREAD) DRIVE AXLE SPREAD: _____

(W.B.) WHEEL BASE: _____

(C.A.) CAB TO CENTER OF AXLES: _____

(F.E.) FRAME EXTENSION: _____



FRONT TARE: _____

REAR TARE: _____

CERTIFIED FRONT AXLE RATING: _____